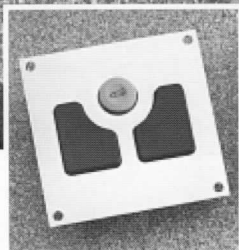


# DuraPoint®

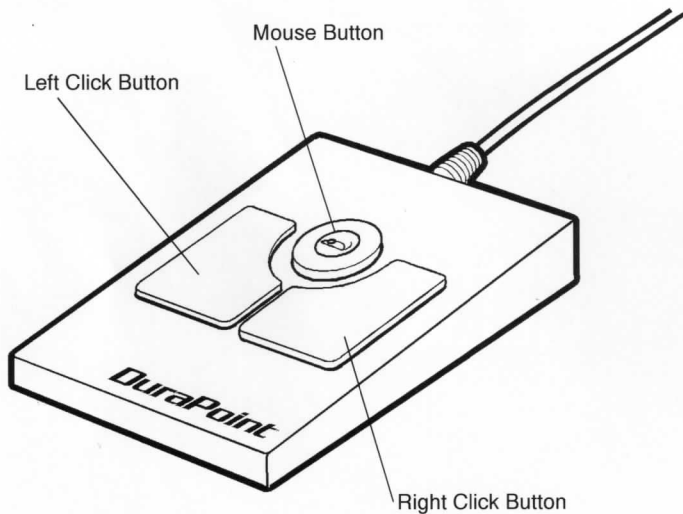
## User's Guide

*For Standalone  
and  
OEM Modules*

Version 3.1



  
INTERLINK  
ELECTRONICS



### **Version 3.1**

© 1995 Interlink Electronics  
Publication Number: 90-45560

DuraPoint and VersaPoint are registered trademarks of Interlink Electronics, Inc.  
IBM, OS/2, and PS/2 are registered trademarks of International Business Machine, Corp.  
Windows and MS-DOS are trademarks of Microsoft Corporation.  
All other trademarks are the property of their respective owners.

# Section 1 - Introduction

## **Introduction to your new DuraPoint®**

Thank you for purchasing DuraPoint, the innovative and durable pointing device designed to operate in harsh environments. Standalone and OEM DuraPoint models are available, and both are designed to be easy to use, reliable, and rugged.

Standalone DuraPoint models are ideal for industrial, process control, medical, warehouse and other computer applications—anywhere a fully-sealed, standalone pointing device is needed. The OEM Module is designed for use in control panels, ruggedized NEMA enclosures, keyboards, rackmount computers—anywhere a rugged, integrated pointing device is needed.

DuraPoint is designed to meet NEMA 4X, 6P, 12, and 13 standards. When installing the OEM Module into a system, please carefully read the installation instructions in the *DuraPoint OEM Module Integration Guide* to ensure proper sealing. DuraPoint is constructed of stainless steel with silicone rubber buttons, and standalone models are potted with a silicone potting compound. DuraPoint's rugged design has no troublesome mechanical assemblies to gum up, or wear out or break and is immune to contamination from most liquids, dust, dirt and grime.

The optional VP740 DuraPoint cable is designed to fit most common enclosure cable cordgrips, and simplifies connection to computers housed in sealed enclosures.

DuraPoint employs Interlink Electronics' VersaPoint® Pressure-Pointing Technology. VersaPoint technology gives you 360° control of cursor direction and speed with just one touch. Gently press on DuraPoint's mouse button to drive the cursor smoothly across the screen—press the button softly for slow, precise cursor moves, press it harder for faster moves.

# Section 2 - QuickStart Guide

## ***Some simple steps for quick start-up***

A quick guide to get you up and running in just a few minutes is presented below. More detailed instructions are included in Sections 3 through 7. DuraPoint installs like a conventional mouse or trackball. (If DuraPoint is already installed into your computer system, e.g., the OEM module has been integrated into your system, turn your system on and proceed to step 4.)

### **All Versions:**

1. Turn your computer off. This is necessary to properly start up DuraPoint and to protect your computer's PS/2 mouse port (if you are using this port).
2. For serial port connections, locate the COM1 or COM2 serial port on your computer (X-Terminals versions should only be used with the PS/2 port). Connect DuraPoint to the desired port, and turn on your computer. If your serial port has a 25-pin connector, you will need to purchase a 9-pin to 25-pin adapter at a local computer store. For Sun versions, connect DuraPoint to the desired Sun mouse port. For Quadrature versions, connect DuraPoint to the Quadrature bus port.
- 2a. For PS/2 mouse port connections, attach the PS/2 adapter to DuraPoint cable and then to the PS/2 mouse port of your computer. Tighten the screws between the adapter and DuraPoint's cable to ensure that they are locked.

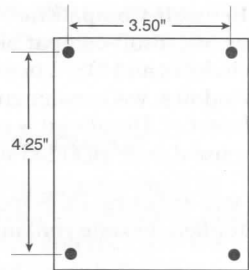
**NOTE:** If your facility is using both Microsoft and Mouse Systems DuraPoints, please ensure that the correct unit is connected to the appropriate computer, as they are not interchangeable.

## Mounting DuraPoint

DuraPoint has been designed to mount on any flat surface—horizontal, vertical or any angle in between. Its rugged stainless steel construction and rubber buttons enable it to be mounted in the harshest environments—direct water spray, dust, dirt, grime, oil, food products and most cleansers and solvents will not affect its operation.

### Mounting the Standalone DuraPoint

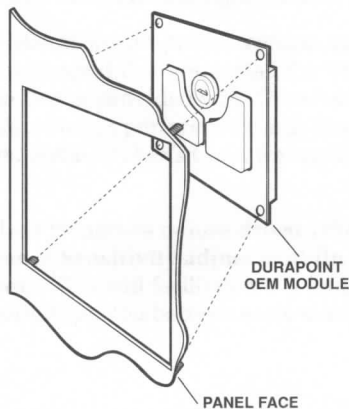
Standalone models have four threaded mounting holes on the back allowing it be fastened to a panel, desktop, or to any other convenient location. (To expose the four 10-32 inserts, simply unscrew the rubber feet found on the back of DuraPoint.)



*Standalone Bolt Pattern*

### Mounting the OEM Module

Below is a suggested mounting procedure for the OEM Module. For detailed instructions on installing the OEM Module, please refer to the DuraPoint OEM Module Integration Guide.



## Section 5 - Using DuraPoint

Your DuraPoint is unlike any mouse or trackball you've used before. You'll want to spend a few minutes becoming accustomed to the new sensation of controlling the cursor with the tip of your finger.

Below we've included some suggestions to help you get started. With very little practice, you'll quickly become a skilled DuraPoint user.

### ***Using the pressure-sensing mouse button***

DuraPoint's pressure-sensing mouse button converts the touch of your finger into smooth cursor movement. To move the cursor, place your fingertip on the center of the mouse button and rock it in the direction you want the cursor to go (DuraPoint has full 360° directional control). A light touch will produce slow, precise cursor movement, increased pressure will increase cursor speed.

You may be comfortable using your index finger on the mouse button and your thumb on the primary button to click and drag. Others prefer to use their middle finger for pointing and their index finger for clicking. Try both ways and see which feels most comfortable and natural for you. DuraPoint works well for both left- and right-handed users.

*HINT:* When using the Microsoft-compatible version under Windows, we recommend that you install the VersaPoint Windows Mouse Driver provided with DuraPoint. This will maximize DuraPoint's performance and flexibility. See the *VersaPoint Software User's Guide* for more information.

**If you're using the standard Windows mouse driver when you first try DuraPoint, set the Mouse Sensitivity adjustment (in the Mouse Control Panel) to minimum.** This will facilitate the learning process. You can increase the sensitivity as you become more familiar with DuraPoint.

## ***Clicking and dragging with DuraPoint***

### **To Click**

The click buttons are located below the mouse button and operate like those on a conventional mouse. The left button on DuraPoint is equivalent to the left Microsoft mouse button and is used as the primary button. The right button is equivalent to the right Microsoft mouse button (the secondary button). You can interchange the operation of the buttons on Microsoft-compatible versions with the VersaPoint Windows Mouse Control Panel, if desired (e.g., for left-handed users).

### **To Drag an Item**

Simply press and hold the primary button while moving the cursor to the desired location. Release this button to complete the drag operation. If your computer has Windows installed, you may wish to practice this function by playing the game of *Solitaire*.

## ***Sun-compatible DuraPoint's third button***

Sun-compatible models have a special third button emulation mode. The third button can be activated by simultaneously depressing the left and right click pads.

# ***Section 6 - Technology and Specifications***

## ***How DuraPoint works***

DuraPoint's rugged construction features no moving parts—the patented touch-actuated sensor used in VersaPoint technology replaces the troublesome mechanical assemblies (optical encoders, wheels, rollers, balls, etc.) used in conventional mice and trackballs.

When you press on the mouse button, your finger pressure is transferred to the pressure sensor under the disk. This sensor is divided into four zones (North, South, East, and West). Pressure over the four zones, analyzed by VersaPoint's electronics, is converted into cursor movement in the desired direction.

The same four-zone sensor which determines cursor direction also controls cursor speed—a light touch moves the cursor at a precise crawl while heavier pressure will cause the cursor to move faster. DuraPoint's unique pressure sensor changes its output signal proportionately to applied pressure. VersaPoint's electronics interprets the variation in sensor output and converts this into variable-speed cursor movement.





INTERLINK  
ELECTRONICS

546 Flynn Road  
Camarillo, CA 93012

Product Support: 805-484-1331

Fax: 805-484-8989